

1188493
H 110 V R PLUS 230V 50HZ

3239196_1188493_R01W - R01W (6/11/2023)



Access Platform Division

Via San Francesco d'Assisi, 8 - 46020 Pegognaga (Mantova) - ITALY Tel. +39 0376
554011 - Fax +39 0376 559855

www.imergroup.com

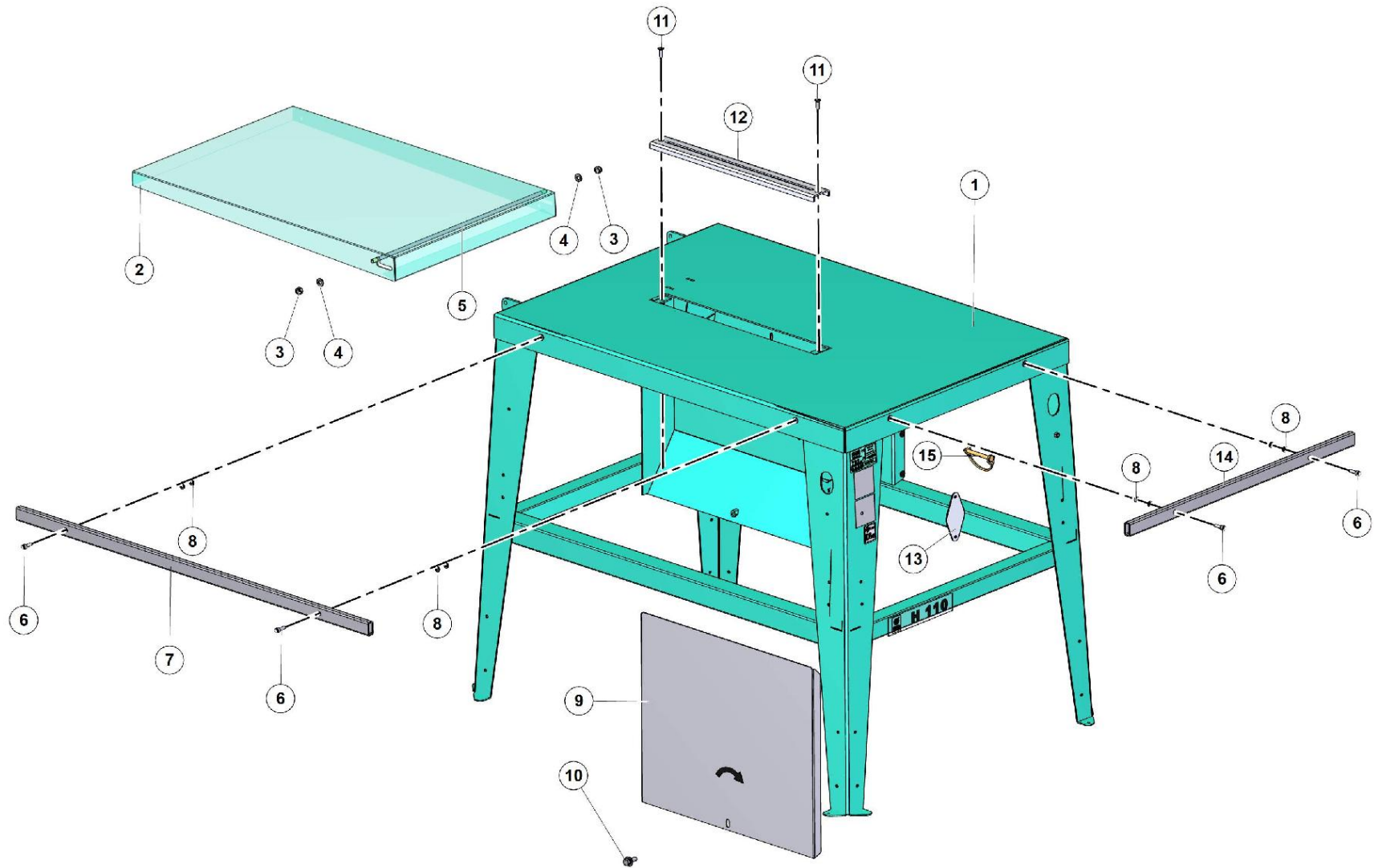
Building Equipment Division

Via della Meccanica, 39 (Zona Industriale Sentino) - 53040 Rapolano Terme
(Siena) - ITALY - Tel. +39 0577 97341 - Fax +39 0577 704077

www.imergroup.com

www.imerglobalcustomercare.com

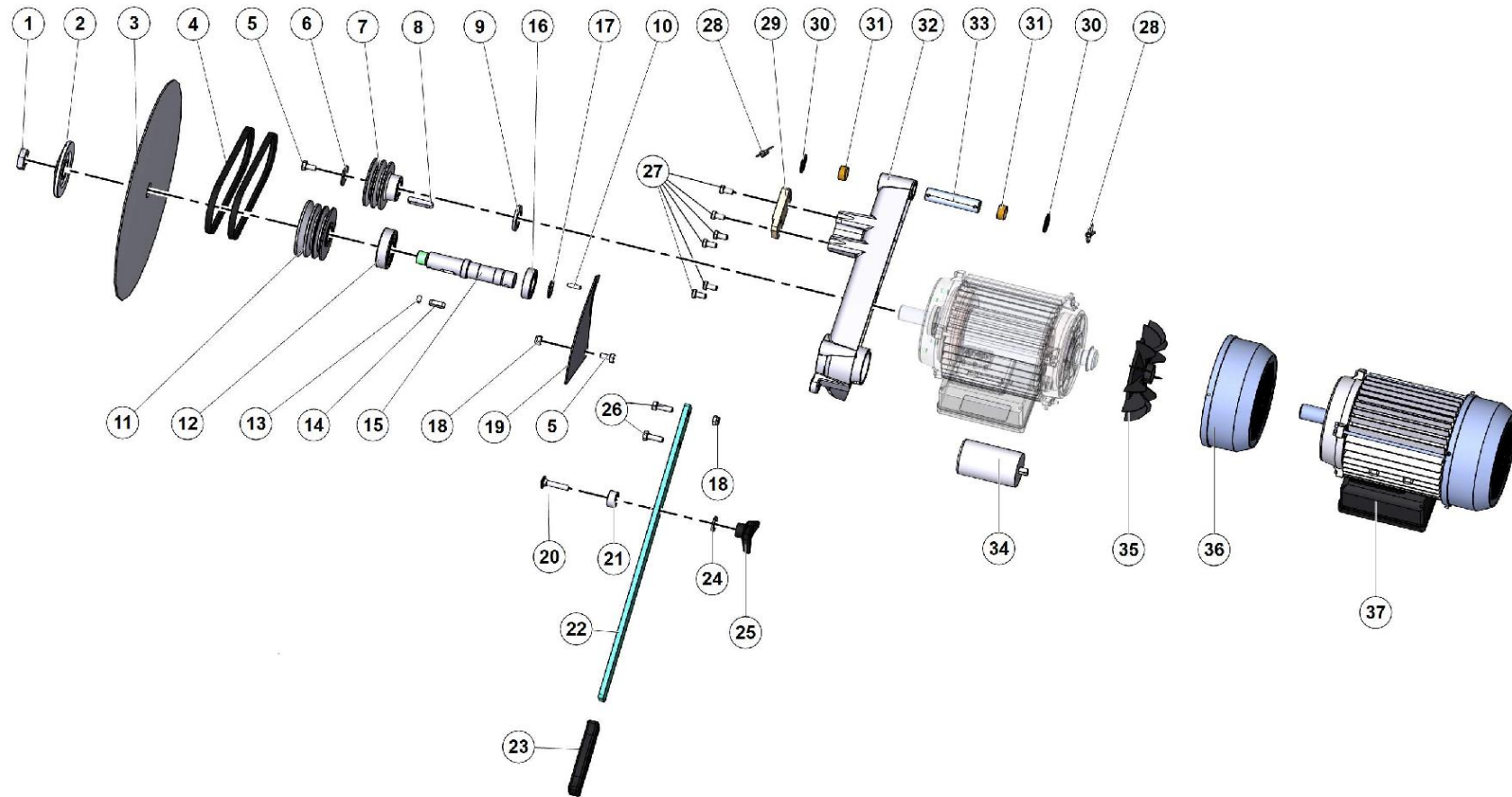
FRAME





N.	CODE	DESCRIPTION	UM	QTY
1	3239303	FRAME		1.0
2	3227085	TABLE	PZ	1.0
3	3210623	NUT	PZ	2.0
4	2224140	ROLLER 6593	PZ	2.0
5	3223117	Tie rod	PZ	1.0
6	2222540	SCREW	PZ	4.0
7	3239178	GUIDE BAR	PZ	1.0
8	2224530	ROLLER/MN	PZ	8.0
9	3239180	Cover	PZ	1.0
10	3238339	SCREW/SAW		1.0
11	2222607	SCREW	PZ	2.0
12	3239181	Blade protect.	PZ	1.0
13	3239251	SHEET		1.0
14	3223119	GUIDE BAR	PZ	1.0
15	3223143	PIN/SAW	PZ	1.0

ELECTRIC MOTOR



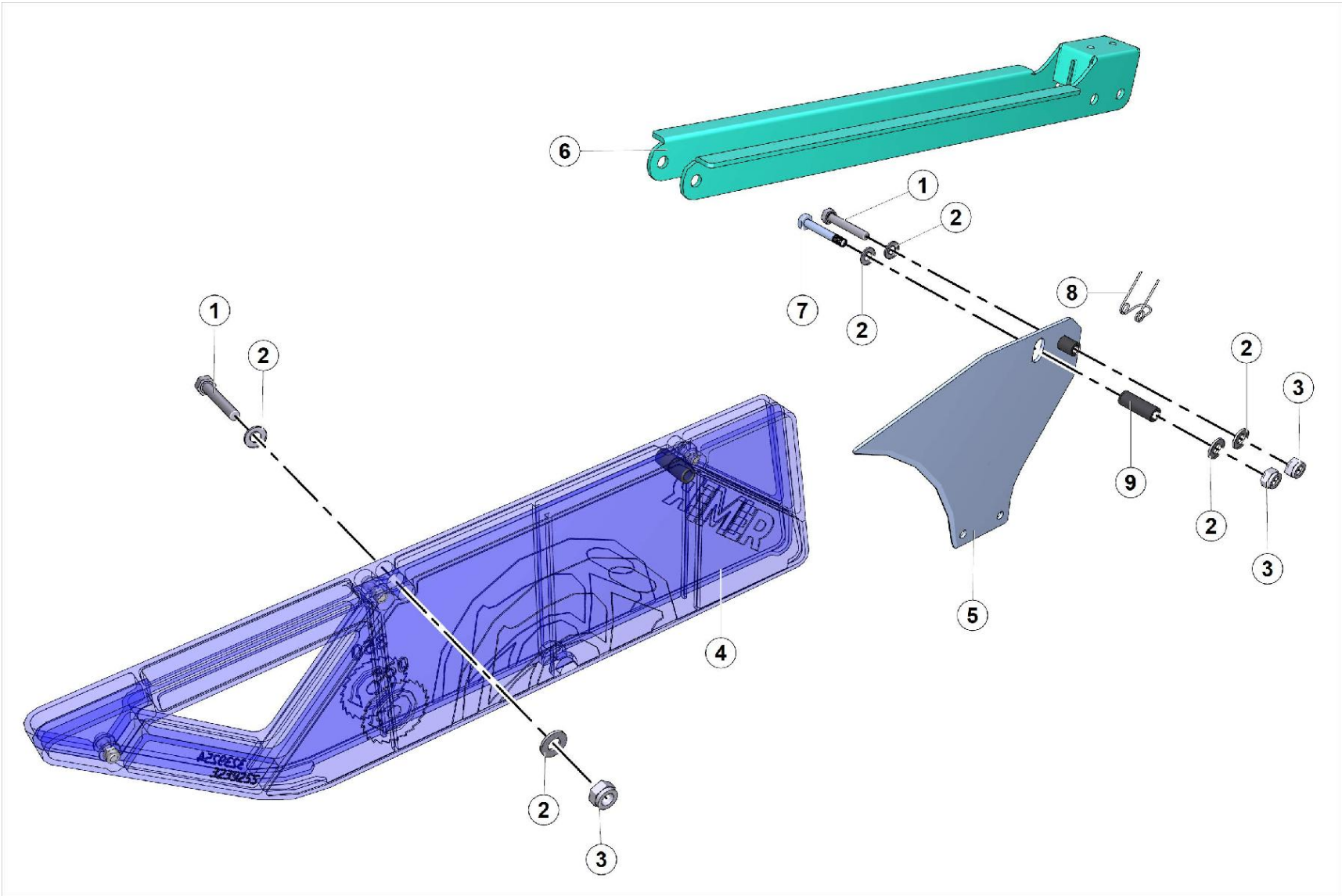


N.	CODE	DESCRIPTION	UM	QTY
1	3208541	NUT	PZ	1.0
2	3239171	EXTERNAL FLANGE	PZ	1.0
3	1193791	Widia Blade Ø 350X3,5 F25,4 Z32		1.0
4	3239169	BELT	PZ	2.0
5	2222064	SCREW	PZ	2.0
6	2224190	WASHER	PZ	1.0
7	3223128	PULLEY	PZ	1.0
8	2229345	KEY	PZ	1.0
9	3234932	SPACER		1.0
10	3227631	PLUG		1.0
11	3239173	INTERNAL FLANGE/H110V	PZ	1.0
12	3224763	BEARING 6305 2RS1	PZ	1.0
13	2225146	GRUB SCREW	PZ	1.0
14	1229346	KEY	PZ	1.0
15	3239248	BLADE SHAFT H110V 350	PZ	1.0
16	2204451	Bearing	PZ	1.0
17	3223320	STOP RING	PZ	1.0
18	3210623	NUT	PZ	2.0
19	3223147	Protection	PZ	1.0
20	3226747	BOLT/SAW	PZ	1.0
21	3227375	SHIM	PZ	1.0



N.	CODE	DESCRIPTION	UM	QTY
22	3227376	HANDLE	PZ	1.0
23	3223277	KNOB	PZ	1.0
24	2224380	WASHER/SAW	PZ	1.0
25	3223319	HANDWHEEL	PZ	1.0
26	2222076	SCREW/SAW	PZ	2.0
27	3223150	SCREW TCEI 7984 M 8x16 ZN - (LOW)	PZ	6.0
28	3224628	SPLIT PIN	PZ	2.0
29	3239188	INTERNAL FLANGE/H110V	PZ	1.0
30	3239190	INTERNAL FLANGE/H110V		2.0
31	3239191	BUSHING IGUS GFM-1012-6		2.0
32	3239172	MOTOR SUPPORT	PZ	1.0
33	3239189	INTERNAL FLANGE/H110V		1.0
34	3231995	CAPACITOR 60MF 450V 50/60HZ	PZ	1.0
35	3235878		PZ	1.0
36	3235879	H110 ENGINE FAN COVER	PZ	1.0
37	3234569	ELECTRIC MOTOR KW2.5 SEG.H110 220-240V 5	PZ	1.0

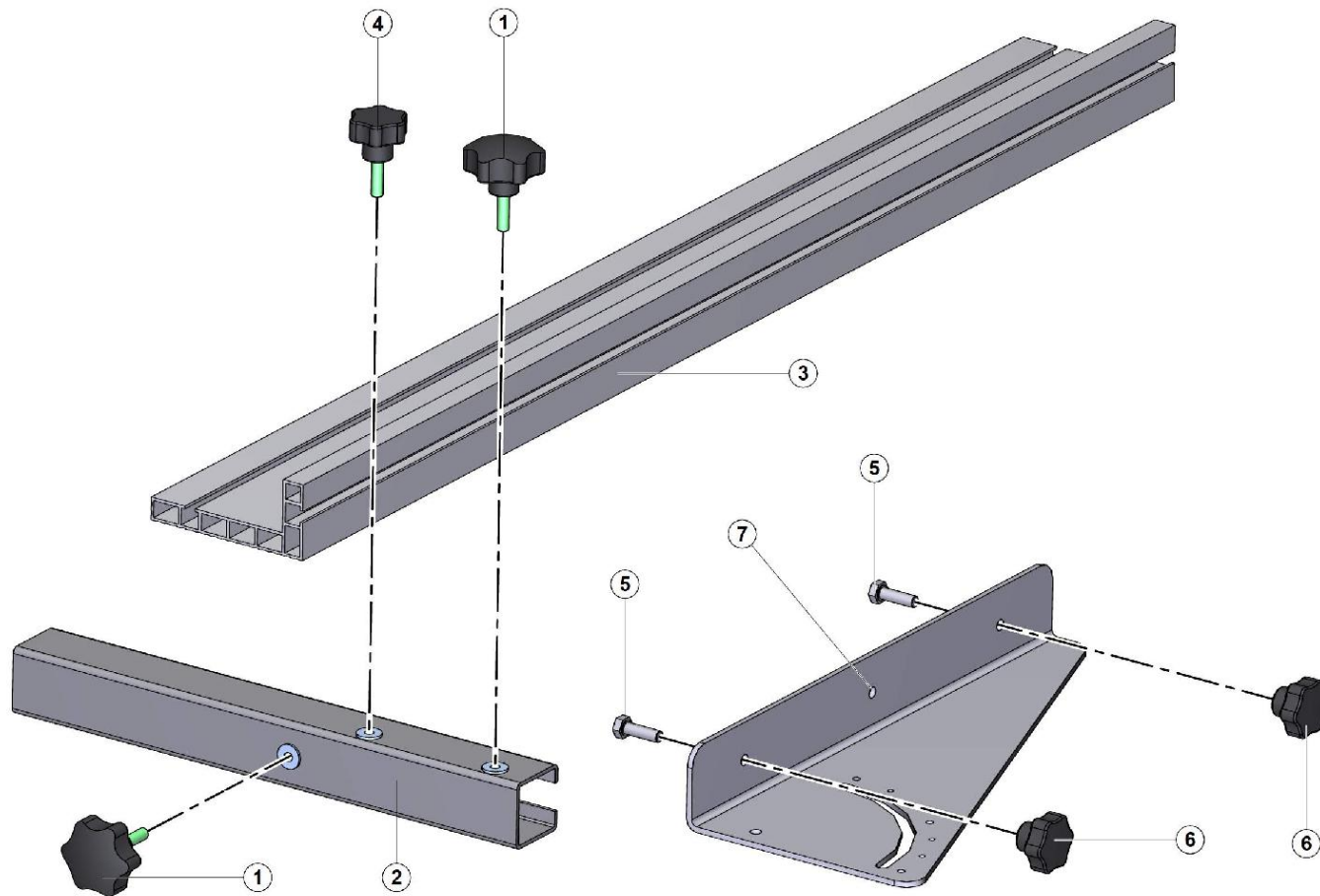
UPPER GUARD





N.	CODE	DESCRIPTION	UM	QTY
1	2222176	SCREW	PZ	2.0
2	2224140	ROLLER 6593	PZ	6.0
3	3210623	NUT	PZ	3.0
4	3239198	Protection	PZ	1.0
5	3300603	SPRING WEDGE WITH WELDED SPACER		1.0
6	3239304	HANDLE	PZ	1.0
7	3300604	ROTATION PIN FOR H110 ARM	PZ	1.0
8	3234691	SPRING	PZ	1.0
9	3239259	SPACER	PZ	1.0

GONIOMETER

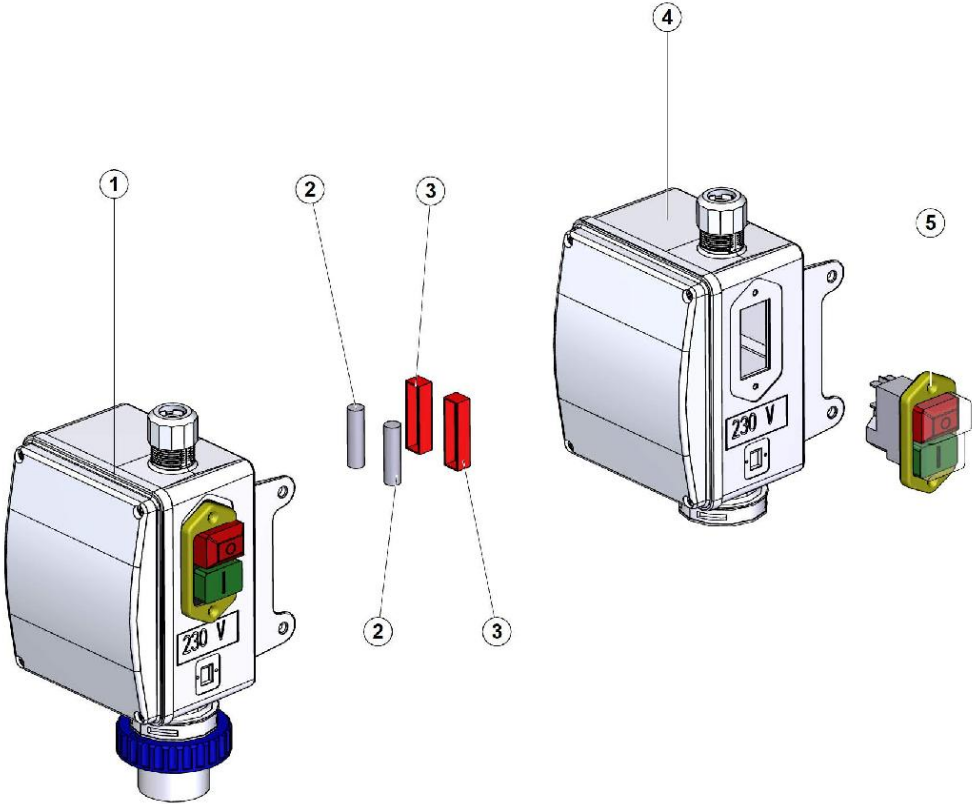




N.	CODE	DESCRIPTION	UM	QTY
1	3214898	HANDWHEEL	PZ	2.0
2	3223120	GUIDE BAR	PZ	1.0
3	3239166	GUIDE BAR	PZ	1.0
4	3223279	KNOB/SAW	PZ	1.0
5	2222016	SCREW	PZ	2.0
6	3204865	KNOB/SAW	PZ	2.0
7	3223116	GONIOMETER	PZ	1.0



ELECTRIC PANEL





N.	CODE	DESCRIPTION	UM	QTY
1	3235740	ELECTRIC CONTROL PANEL H110 230V 50-60 H	PZ	1.0
2	3209339	Fuse	PZ	2.0
3	3225059	TERMINAL		2.0
4	3228753	Control panel casing S 300-350	PZ	1.0
5	3209337	SWITCH	PZ	1.0



Access Platform Division

Via San Francesco d'Assisi, 8 - 46020 Pegognaga (Mantova) - ITALY Tel. +39 0376
554011 - Fax +39 0376 559855

www.imergroup.com

Building Equipment Division

Via della Meccanica, 39 (Zona Industriale Sentino) - 53040 Rapolano Terme
(Siena) - ITALY - Tel. +39 0577 97341 - Fax +39 0577 704077

www.imergroup.com